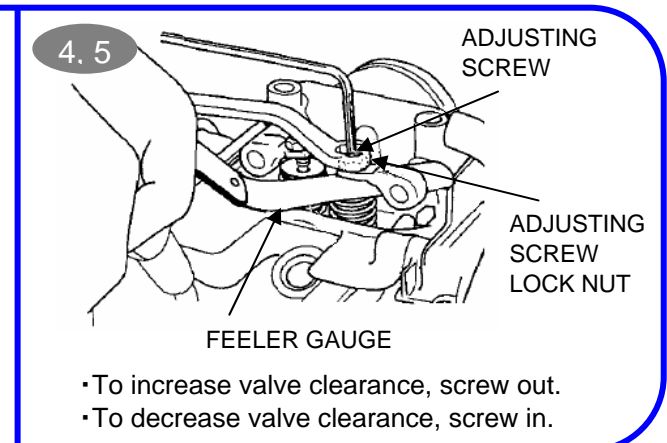
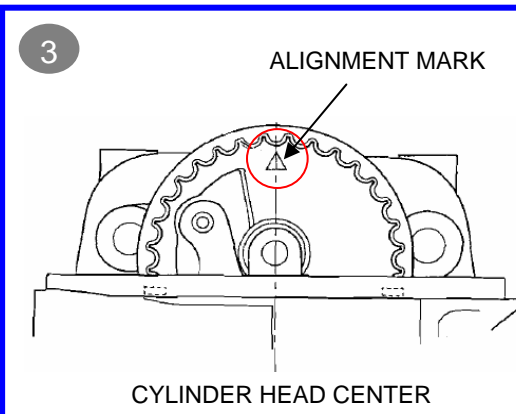
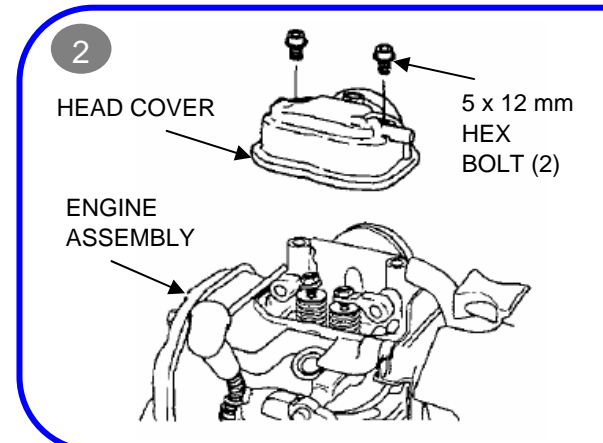
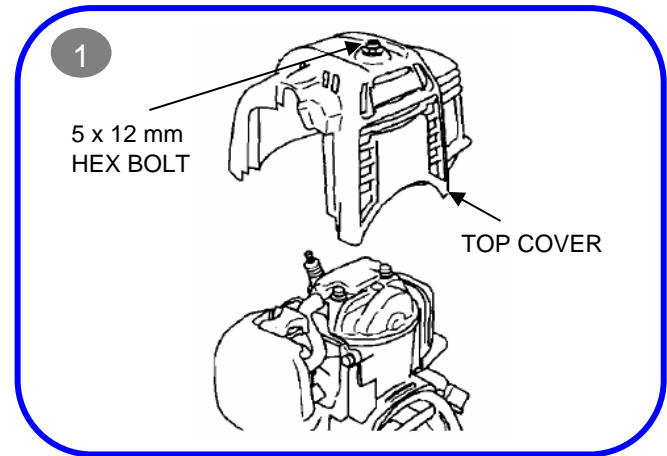




VALVE CLEARANCE

Valve clearance inspection and adjustment must be performed with the engine cold.

- ①. Remove the 5 x 12 mm hex bolt and remove the top cover.
- ②. Remove the two 5 x 12 mm hex bolts from the head cover.
 - Engine oil can leak out when removing the head cover. Catch the leaking oil with a suitable material and wipe up the area immediately.
- ③. Set the piston at top dead center of the compression stroke. Align the "△" mark on the cam pulley with the cylinder head cover.
- ④. Insert a feeler gauge between the rocker arm and valve to measure the valve clearance.
 - Valve clearance: 0.08 ± 0.02 mm (IN)
 - 0.11 ± 0.02 mm (EX)
- ⑤. If adjustment is necessary, proceed as follows:
 - a. Loosen the adjusting screw lock nut and adjust the valve clearance by turning the adjusting screw right or left.
 - b. Holding the adjusting screw with the tappet adjusting wrench, tighten the lock nut to the specification. TORQUE: 4.9 N·m (0.5 kgf·m)
 - c. After tightening the lock nut, recheck the valve clearance.



IGNITION COIL AIR GAP

Adjustment is required only when the ignition coil or the flywheel has been removed.

- ①. Loosen the ignition coil bolts.
 - Insert a feeler gauge between the ignition coil and the magnetic part of the flywheel.
- ②. Push the ignition coil firmly toward the flywheel and tighten the bolts.
 - Specified clearance: 0.4 ± 0.1 mm (0.016 ± 0.004 in)
 - Adjust the clearance at the magnetic part of the flywheel.
 - Adjust both gaps at the right and left sides of the ignition coil simultaneously so they are equal.

